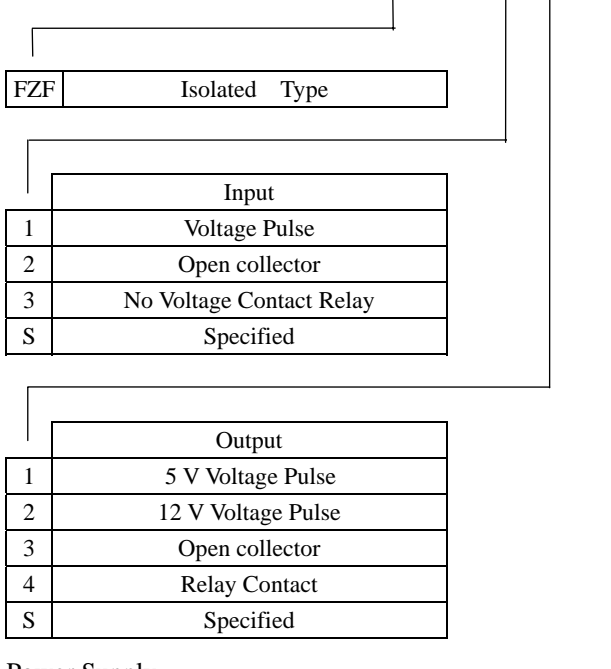


# PULSE ISOLATOR

AT-740-FZF

Model : AT-740-    -   -



1	AC 110V ± 10% 50 / 60 Hz
2	AC 220V ± 10% 50 / 60 Hz
3	DC 24V ± 10%
4	AC 24V ± 10% 50 / 60 Hz
S	Specified

## Input Signals :

- ◆ Voltage Pulse : 200 mV - 20 V ( P-P )
- ◆ ON-OFF Pulse : Open collector / Contact  
OFF : 8 V      ON : 1 mA

## Output Signals :

- ◆ Open collector : 30 VDC , 50 mA
- ◆ Pulse : 5 V
- ◆ Dry Relay Contact : 2 Hz Max  
AC 120 V / 1A ( COS  $\theta$  = 1 ), DC 24 V / 2A  
Pulse Width : 80 ms

## Options :

- ◆ Power for Sensor : Max. DC 8V/25 mA
- ◆ Synchronous Pulse Output : 8V Pulse or Open Collector



## Features :

- ◆ Plug-in Socket Structure and DIN Rail Mounting
- ◆ High Reliability , Lasting Durability , Low Cost and Small Sized
- ◆ Inside Jumpers can be Selected for Varies Input Signals
- ◆ Optional DC Power or Input Synchronous Output

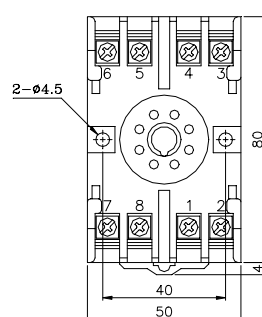
## Applications :

- ◆ Fully Isolated between Input and Output

## Specifications :

- ◆ Input Freq. : 0 - 100 KHz
- ◆ Operating Temp. : -5 ~ +55 °C
- ◆ Operating Humidity : 0 - 90% RH
- ◆ Insulation Resistance :  
≥ 100 MΩ with 500 VDC  
( Input / Output / Power )
- ◆ Dielectric Strength :  
AC 1500 V , 1 min. ( Input / Output / Power )
- ◆ Case Material : Case is ABS , Base is Bakelite
- ◆ Power Consumption : 4 VA

## Socket and Terminal :



1	+	OUT	Pulse Output
2	-		
3	+	IN	Pulse Input
4	-		
5	+		Option
6	-		
7	U(+)	PWR	Power
8	V(-)		